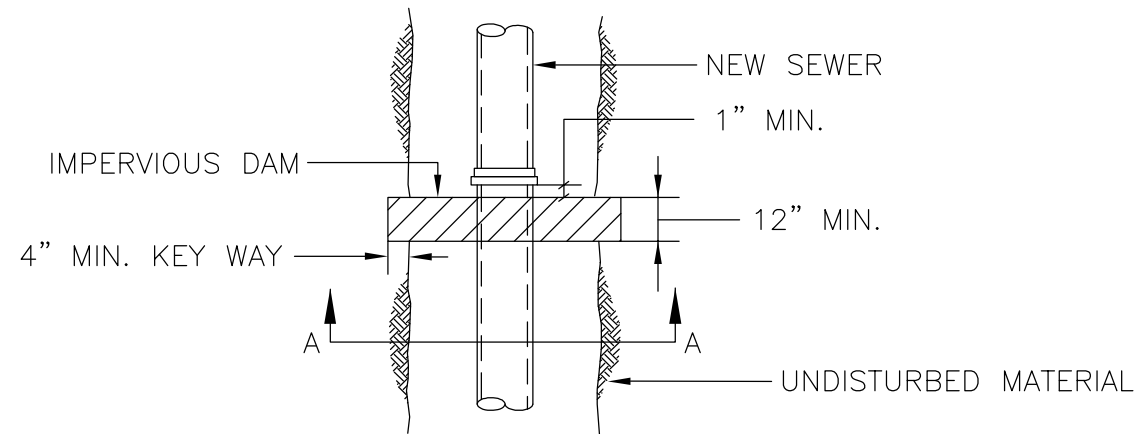


NOTICE CHANGE IN POLICY

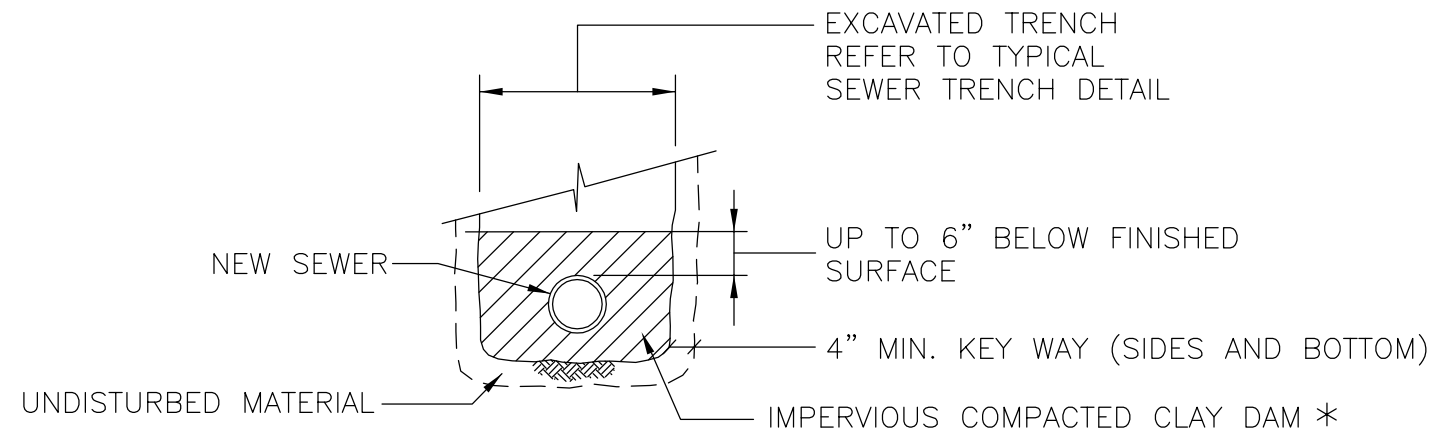
- 1) Starting on April 1, 2017, any sanitary or storm sewer lateral installed to service a single family residential structure must have a clay dam installed at a point along its length outside of the public right-of-way.
- 2) All such laterals and clay dams must be inspected by the Utilities Department prior to backfilling.
- 3) A typical detail for such clay dams is attached.

GUIDELINES FOR LATERAL INSPECTIONS

- a) Call a minimum of one business day in advance to schedule an inspection. Please call Avon Utilities Department at 440-937-5740 between the hours of 8:00 AM and 4:00 PM to make an appointment.
- b) The lateral trench shall be fully excavated, bedding stone in place except as noted below, the pipe connected to connection point, the pipe laid in place, the clay dam installed per the attached detail, one foot of bedding stone pulled away from each side of the clay dam so that the undisturbed earth is invisible on all trench sides on each side of the clay dam, and the trench left un-backfilled until the inspection is complete.
- c) Upon a passing inspection of the trench, a notice will be given to the Building Department.
- d) Failure to have an inspection performed or to secure a passing inspection will result in the withholding of deposits and occupancy.



PLAN



SECTION A-A

* ALTERNATE MATERIALS MAY BE UTILIZED WITH PRIOR WRITTEN APPROVAL OF THE CITY ENGINEER

PIPE TRENCH CLAY DAM DETAIL

CITY OF AVON CONSTRUCTION STANDARDS	
PIPE TRENCH CLAY DAM DETAIL	DATE 4/2017
STANDARD CONSTRUCTION DRAWING	